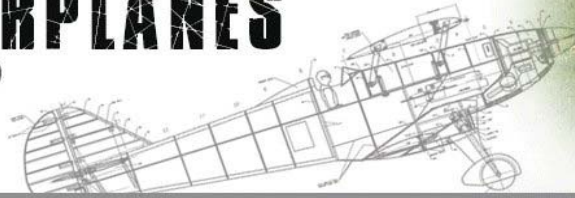


Everything you need to know to build and fly your planes

RCAIRPLANES

SIMPLIFIED



Fairey Swordfish (1/6 scale)

Wood						Qty
Balsa	3/16	x	1/4	x	36	4
Balsa	3/16	x	3/4	x	36	1
Balsa	5/16	x	1/2	x	36	1
Balsa	5/16	x	3/8	x	36	5
Balsa	1/2	x	1/2	x	36	1
Balsa	1/2	x	3/4	x	36	5
Balsa	1/4	x	1/2	x	36	3
Balsa	1/8	x	1/2	x	36	1
Balsa	3/8	x	3/8	x	36	1
Balsa	1/16	x	6	x	48	7
Balsa	3/16	x	6	x	48	1
Balsa	1/8	x	4	x	48	6
Balsa triangle	1/2	x	1/2	x	36	1
Dowel			Ø1/4	x	36	1
Dowel			Ø1/8	x	36	18
Hardwood	3/16	x	3/16	x	36	4
Hardwood	1/4	x	1/4	x	36	17
Hardwood	1/4	x	3/8	x	36	1
L.G. Block			5/32	x	12	4

Plans	
	Fuselage (Side view)
	Fuselage (Top view)
	Fuselage (Section view)
	Bottom Wing
	Top Wing
	Top Wing & Section view
	Wire bending detail
	Parts (Plywood)
	Parts (Balsa)
	Parts (Balsa)
	Parts (Balsa)

Misc.	
	Hardware kit
	Laser cut Kit
	Landing gear Oleo Strut



Swordfish (1/6 scale)

Hardware listing

□ BTI0440

Brass threaded insert 4-40
(8 req.)

□ DUB156

Nylon gear block
(1 req.)

□ DUB158

L/G strap
(24 pkg of 4)

□ DUB212

2-56 Threaded coupler
(5 pkg of 5)

□ DUB238

Nylon L/G strap Ø1/8"
(1 pkg of 4)

□ DUB238

Nylon L/G strap Ø5/32"
(2 pkg of 4 + 1 req.)

□ DUB600

2-56 Kwick Link
(1 pkg of 12 +4 req.)

□ DUB716

Control Horn
(3 pkg of 2)

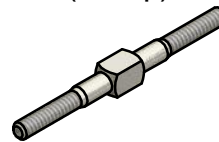
□ DUB860

Swivel Ball link 2-56
(1 pkg of 12)

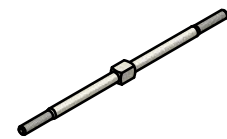
□ DUB861

Swivel Ball link 4-40
(4 req.)

□ HAN3550

Turnbuckle 4-40 x 1 1/2
(1 req.)

□ HAN3553

Turnbuckle 4-40 x 3
(1 req.)

□ BN4

Blind nut 4-40
(10 req.)

□ BN6

Blind nut 6-32
(26 req.)

□ NIO256

Nylock Nut 2-56
(42 req.)

□ NIO632

Nylock Nut 6-32
(2 req.)

□ ROB311

Ø1/8" Hinges
(6 req.)

□ ROB312

Ø3/16" Hinges
(26 req.)



Swordfish (1/6 scale)

Hardware listing

- DUB517 2-56 Pull-pull system (6 req.)
- DUB801 2-56 Threaded rod x 12" (25 req.)
- K&S1102 3/8" Streamlined alum. tube (1 req.)
- K&S1103 1/2" Streamlined alum. tube (1 req.)
- K&S1105 3/4" Streamlined alum. tube (5 req.)
- K&S1149 Round brass tubing Ø1/4" x 12" (1 req.)
- K&S8128 Round brass tubing Ø5/32" x 12" (1 req.)
- K&S8129 Round brass tubing Ø3/16" x 12" (1 req.)
- K&S8131 Round brass tubing 1/4" x 12" (1 req.)
- K&S8107 Round Alum. tubing Ø9/32" x 12" (2 req.)
- K&S507 Ø1/8" x 36" Music wire (1 req.)
- K&S508 Ø5/32" x 36" Music wire (5 req.)
- SHCS 4-40 x 1/4" lg. (8 req.)
- SHCS 4-40 x 1/2" lg. (8 req.)
- SHCS 4-40 x 1 1/2" lg. (2 req.)
- SHCS 6-32 x 1/2" lg. (10req.)
- SHCS 6-32 x 3/8" lg. (10 req.)
- SHCS 6-32 x 1" lg. (6 req.)
- SHCS 2-56 x 1/2 lg. SS (38 req.)
- SHCS 4-40 x 3/4 lg. SS (1 req.)
- Servo Screw #2 x 7/16" (120 req.)



B

B

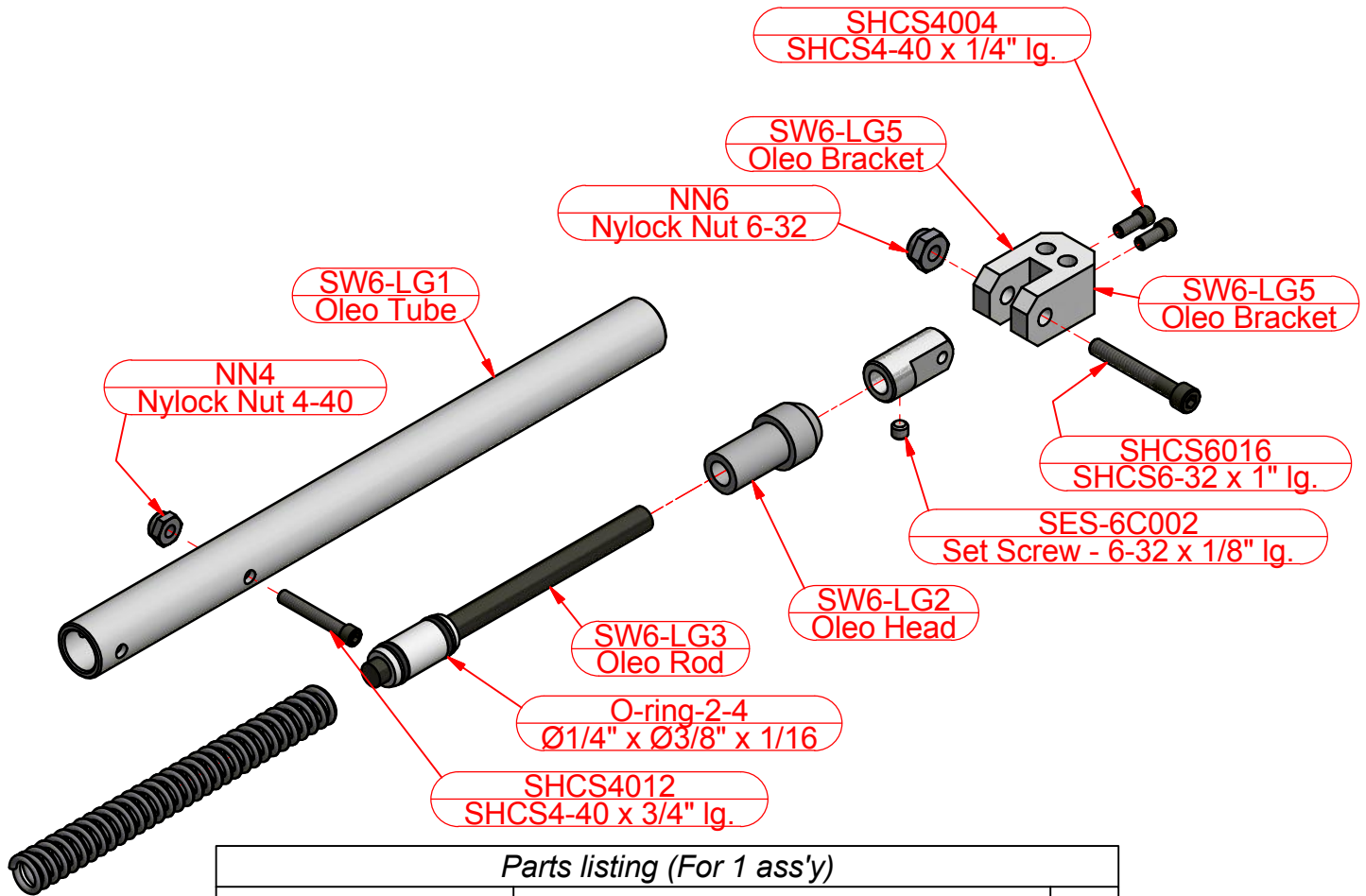
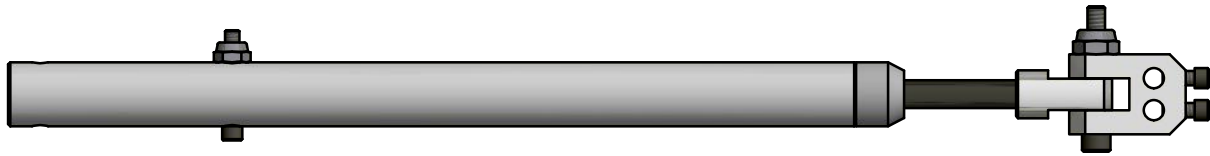


A

A

Swordfish (1/6 scale)

OLEO STRUT (2x)



Parts listing (For 1 ass'y)

Part number	Description	Qty
Spring	Compression spring	1
NN4	Nylock Nut 4-40	1
NN6	Nylock Nut 6-32	1
O-ring-2-4	Ø1/4" x Ø3/8" x 1/16	2
SES-6C002	Set Screw - 6-32 x 1/8" lg.	1
SHCS4004	SHCS4-40 x 1/4" lg.	2
SHCS4012	SHCS4-40 x 3/4" lg.	1
SHCS6016	SHCS6-32 x 1" lg.	1
SW6-LG1	Oleo Tube	1
SW6-LG2	Oleo Head	1
SW6-LG3	Oleo Rod	1
SW6-LG4	Oleo Hand	1
SW6-LG5	Oleo Bracket	1