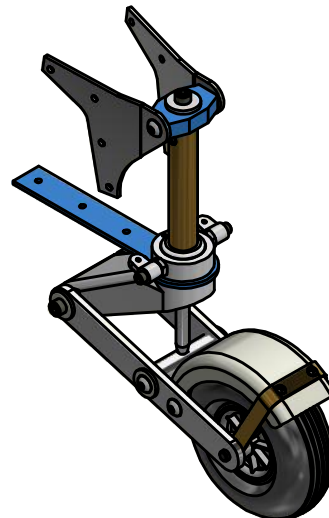
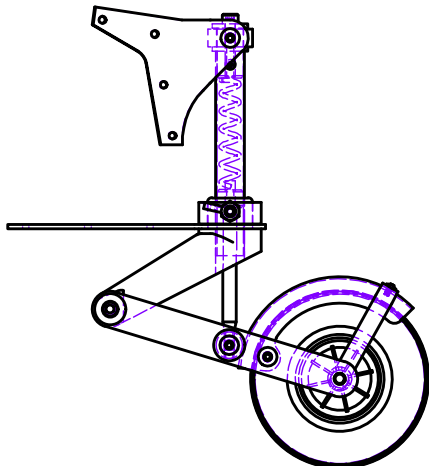


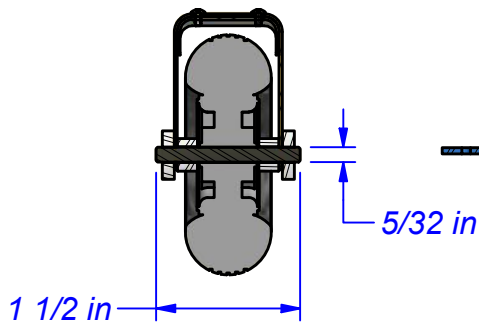
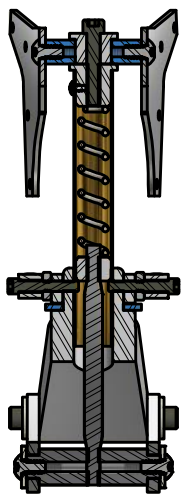
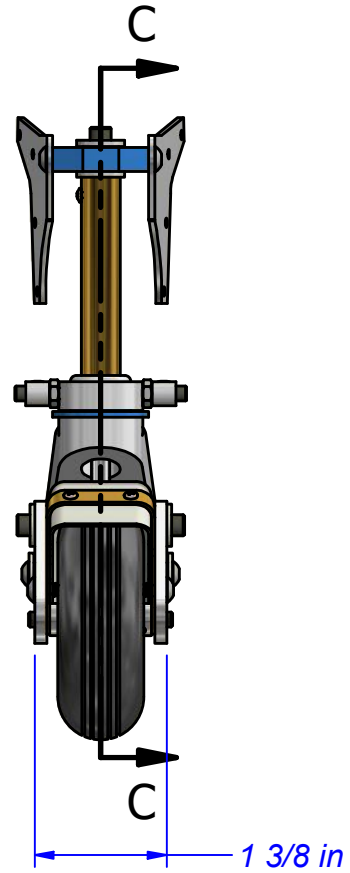
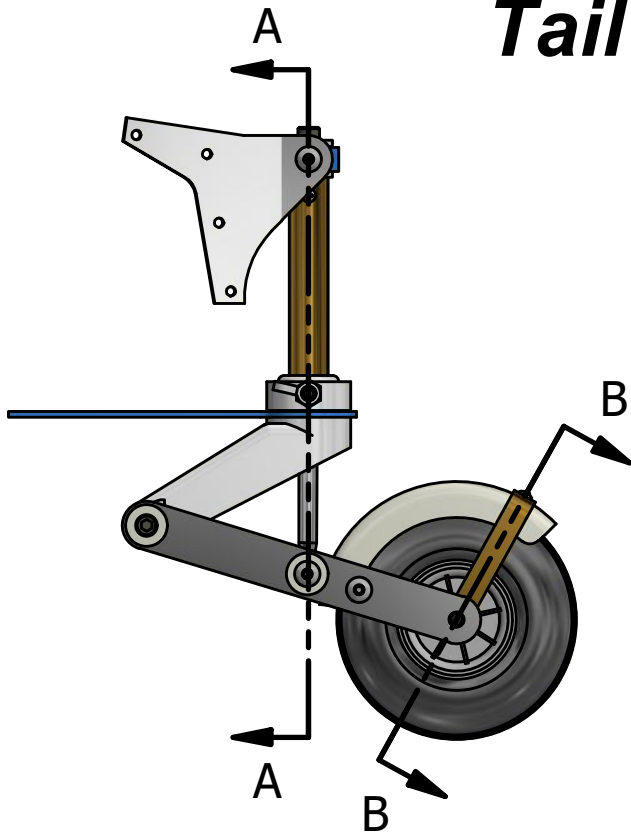
# Pilatus PC-6 Porter (120") Tail Wheel

Parts listing (For 1 ass'y)

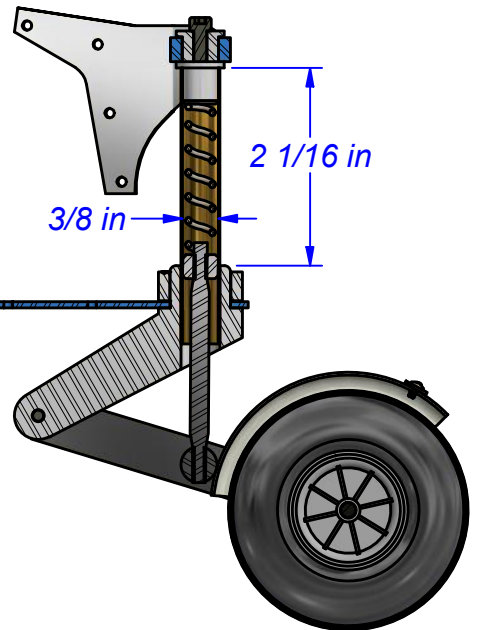
Part number	Description	Material	Qty
99461A605		Screw #1 x 1/8" lg.	3
DUB225TL		Wheel Ø2 1/4"	1
DUB557		3/32" E/Z Adjust horn bracket	2
DUB598		Wheel collar Ø5/32"	2
ERDN4		Nut 4-40	2
FWF6		Washer Large #6	4
PC6-120-TW-01	Oleo Mount	Brass tube Ø3/8" x Ø13/32"	1
PC6-120-TW-02	Support	Aluminium 1/4"	1
PC6-120-TW-03	Oleo Cap	Plastic	1
PC6-120-TW-04	Support Bushing	Plastic	1
PC6-120-TW-05	T-W Attach	Aluminium 1/16"	1
PC6-120-TW-06	Mount Bushing	Alum. Tube Ø5/8" x Ø3/4"	1
PC6-120-TW-07	Mount	Plastic	1
PC6-120-TW-10	Oleo Strut	Aluminium 2024-T3 Ø3/16"	1
PC6-120-TW-11	Oleo Piston	Plastic	1
PC6-120-TW-12	Fork Arm	Aluminium 1/8"	2
PC6-120-TW-15	Wheel Axle	Music Wire Ø5/32"	1
PC6-120-TW-16	Mudguard Bracket	Brass strip 1/32" x 1/2"	1
PC6-120-TW-17	Musguard	Plastic	1
PC6-120-TW-18	Mount Bracket	Aluminium 1/16"	2
PC6-120-TW-19	Oleo Rod End	Aluminium Ø3/8	1
PC6-120-TW-Spring	Oleo Spring	Comp. spring Ø3/8" x 2"	1
SBS0604		Button Head Screw 6-32 x 1/4" lg. (SS)	6
SHCS4-10		SHCS 4-40 x 5/8" lg.	2
SHCS6-08		SHCS 6-32 x 1/2" lg.	2
SHCS6-12		SHCS 6-32 x 3/4" lg.	1



# Pilatus PC-6 Turbo Porter Tail Wheel



Section B-B

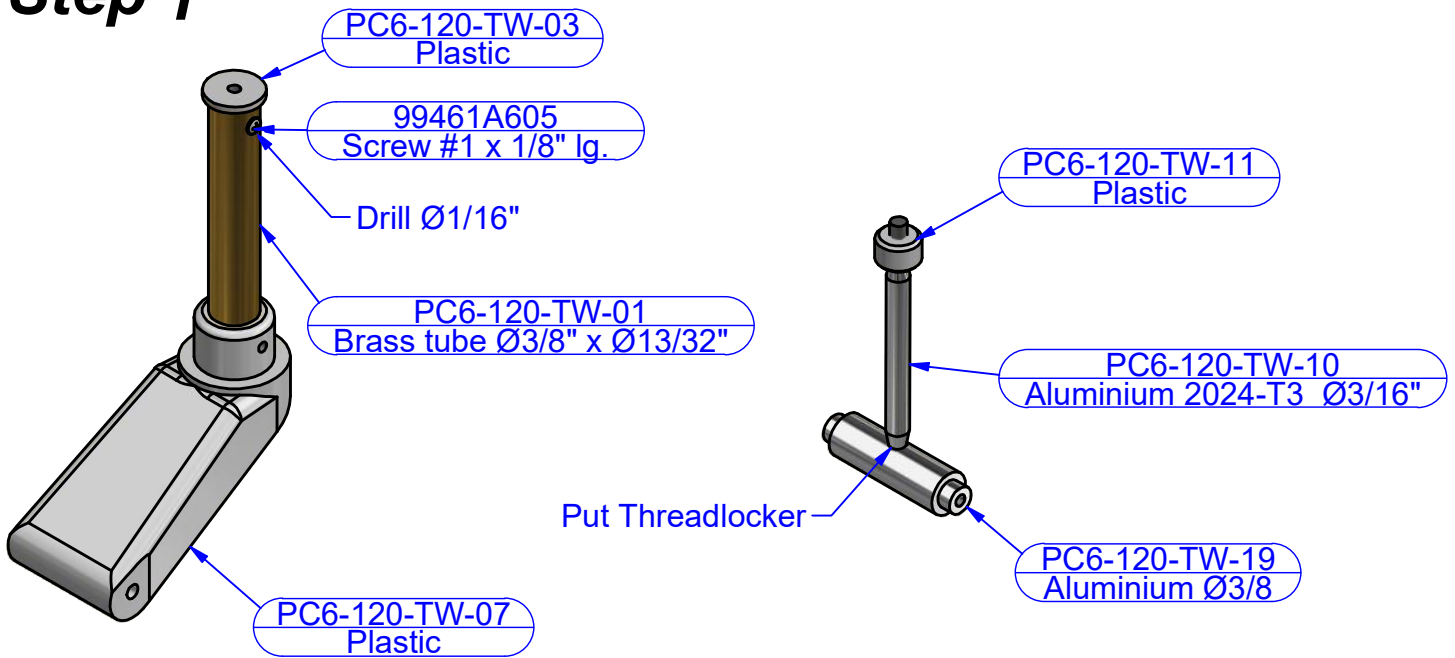


SECTION C-C  
SCALE 1/2

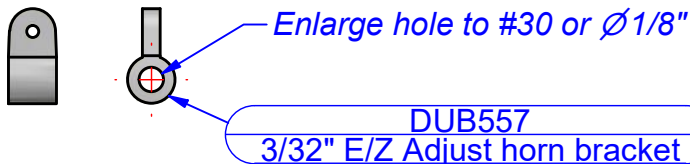
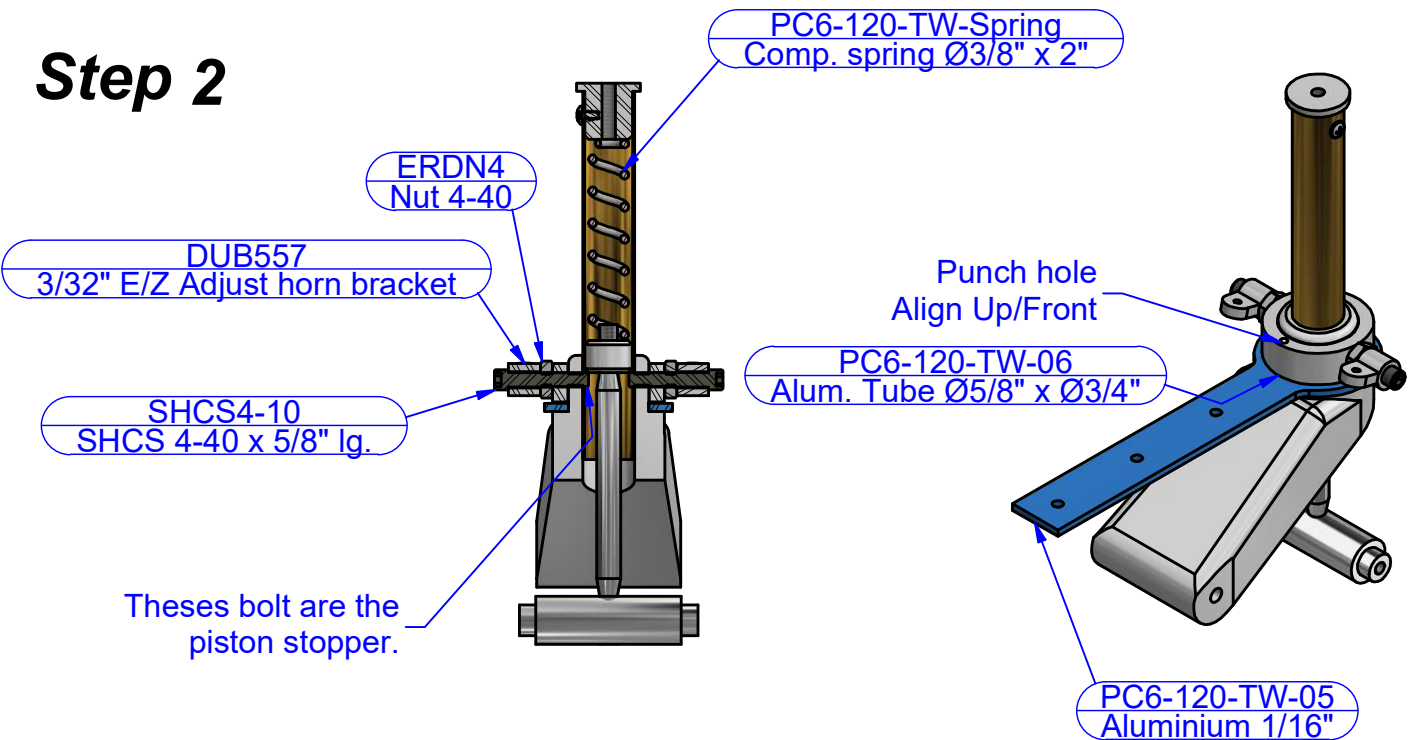
SECTION A-A  
SCALE 1/2

# Pilatus PC-6 Turbo Porter Tail Wheel

## Step 1



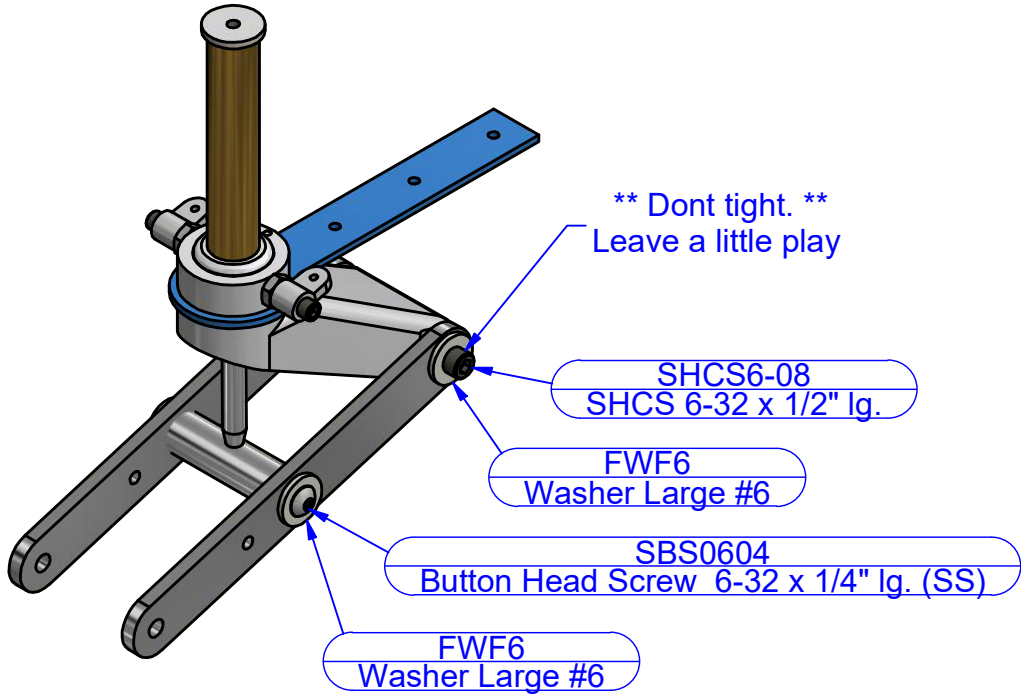
## Step 2



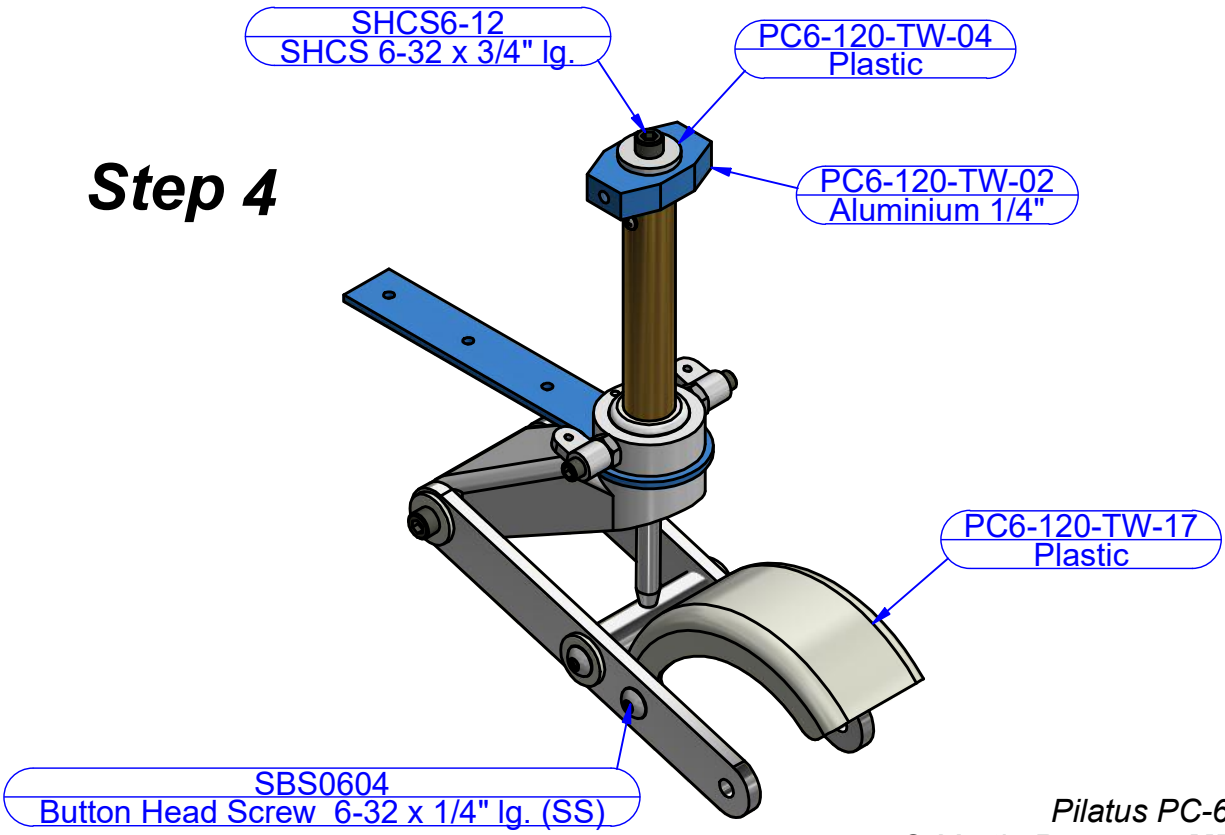


# Pilatus PC-6 Turbo Porter Tail Wheel

## Step 3



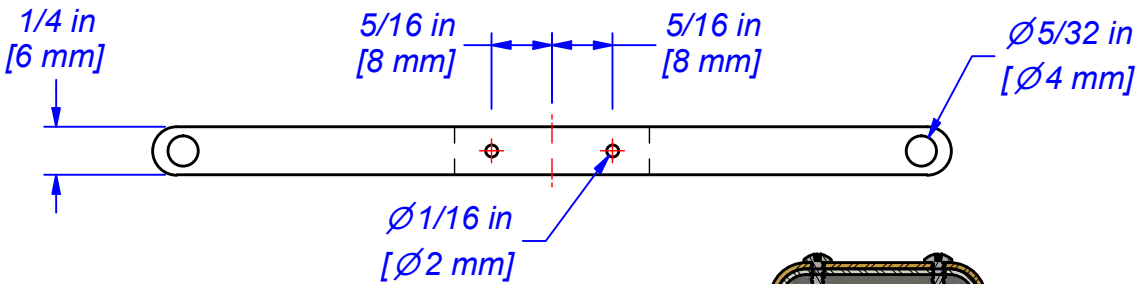
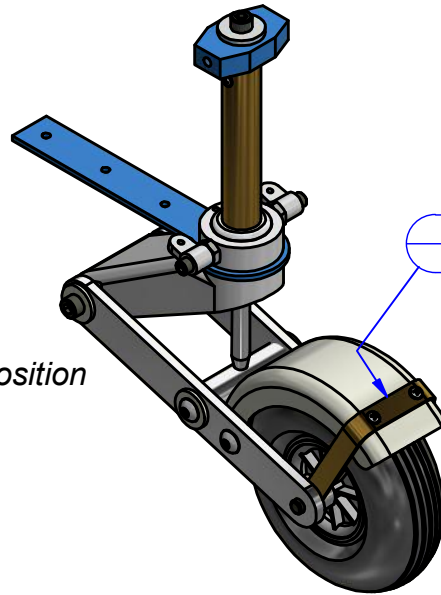
## Step 4



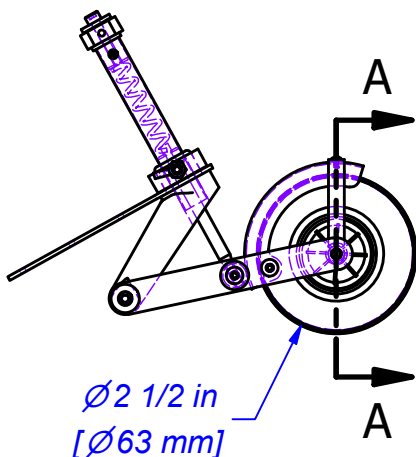
# Pilatus PC-6 Turbo Porter Tail Wheel

## Step 5

- This parts are intentionally longer.
- Find the center and drill the  $\text{Ø}1/16$ " holes.
- Fold, using the mudguard as template.
- Adjust position of the mudguard and mark position of  $\text{Ø}5/32$ " holes.
- Drill  $\text{Ø}5/32$ " holes and trim.



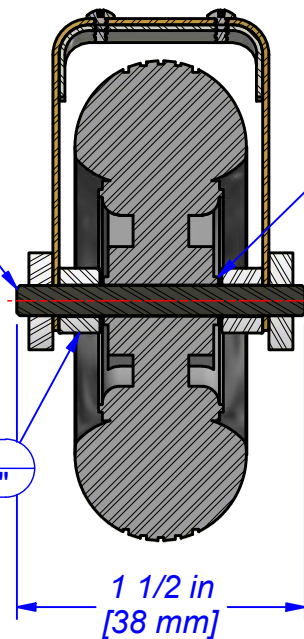
## Step 6



PC6-120-TW-15  
Music Wire  $\text{Ø}5/32$ "

Trim wheel hub if required

DUB598  
Wheel collar  $\text{Ø}5/32$ "



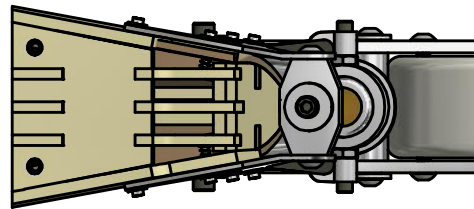
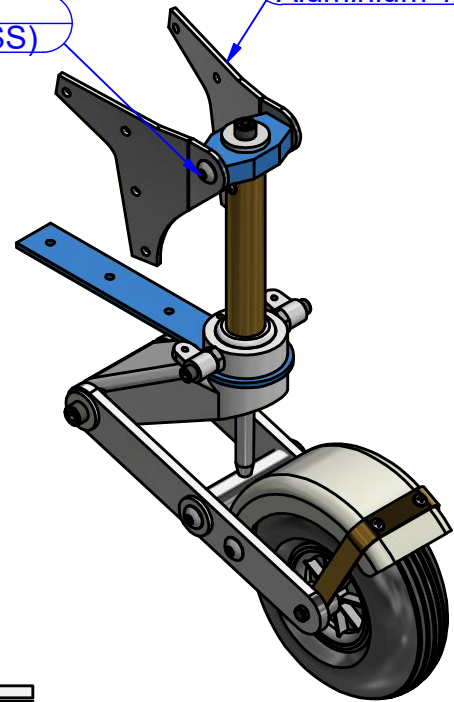
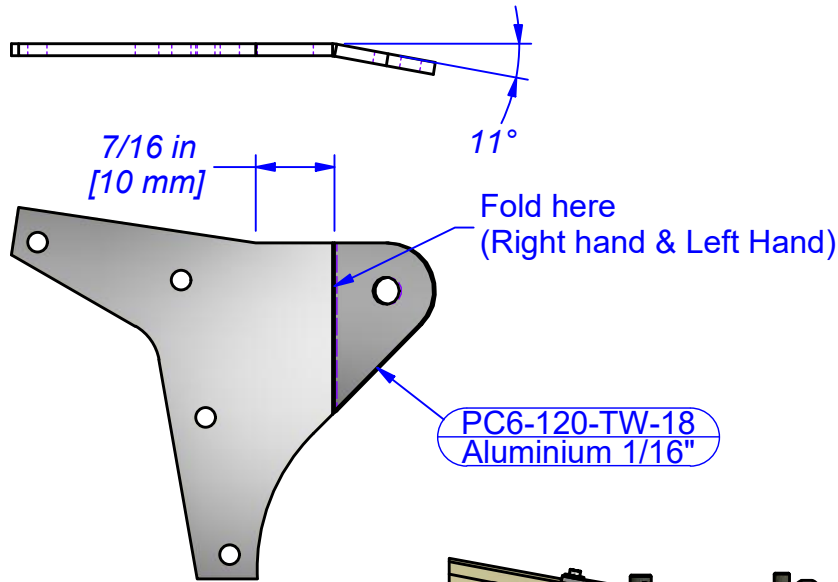
SECTION A-A  
SCALE 1/1

# Pilatus PC-6 Turbo Porter Tail Wheel

## Step 7

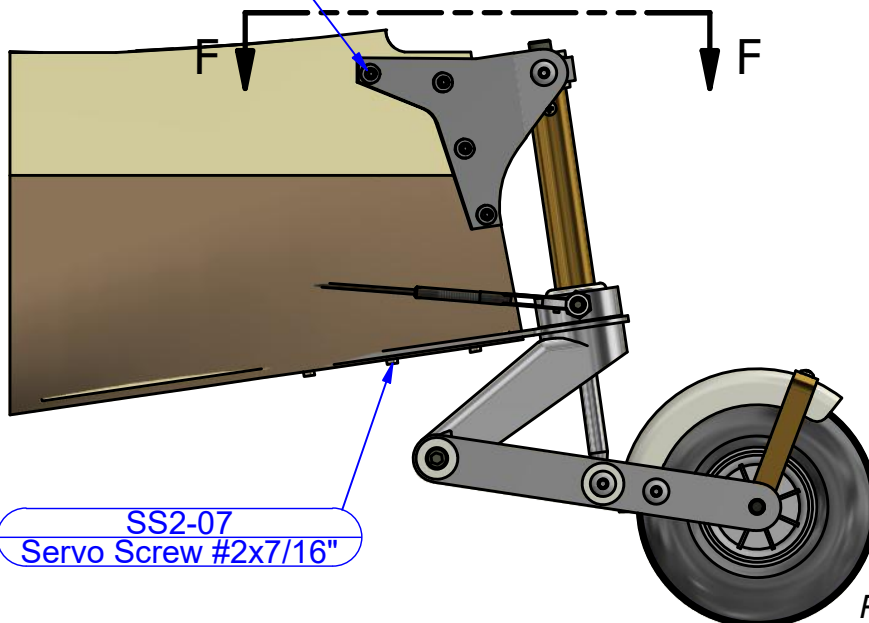
SBS0604  
Button Head Screw 6-32 x 1/4" lg. (SS)

PC6-120-TW-18  
Aluminium 1/16"



VIEW F-F  
SCALE 1/2

SS2-07  
Servo Screw #2x7/16"



SS2-07  
Servo Screw #2x7/16"